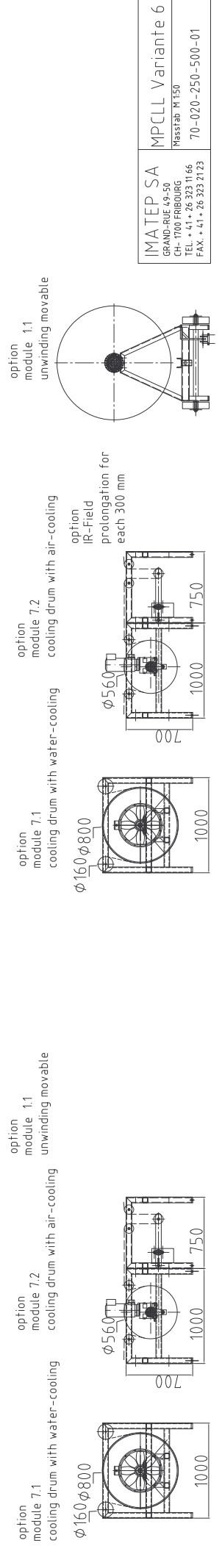
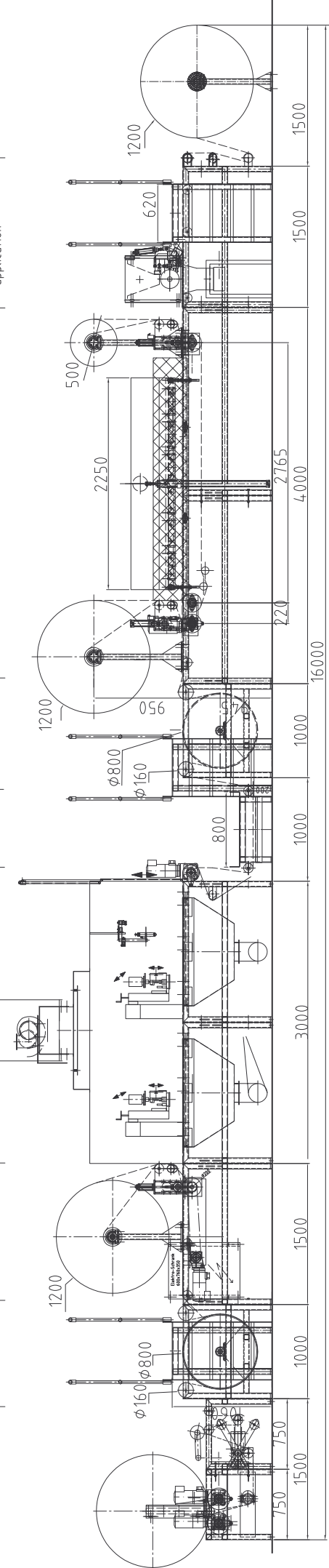


- module 8 compensation unit winding
- module 7 cooling drum, service platform with stairs
- module 4 unwinding 2nd substrate lamination station (nip)
- module 9 combi-application cabine for ethyl-acetat based and hotmelt adhesive
- module 7.3 service platform
- module 7 cooling drum, service platform with stairs
- module 6 unwinding for web- and film adhesive IR-Field, lamination station (nip), unwinding 3rd substrate
- module 5 service platform with stairs powder adhesive application
- module 1 unwinding fix 1st substrate service platform



**IMATEP SA**  
 GRAND-ROUTE 49-50  
 CH-1700 FRIBOURG  
 TEL. + 41 26 323 11 66  
 FAX. + 41 26 323 21 23  
**MPCLL Variante 6**  
 Massfab M 150  
 70-020-250-500-01