

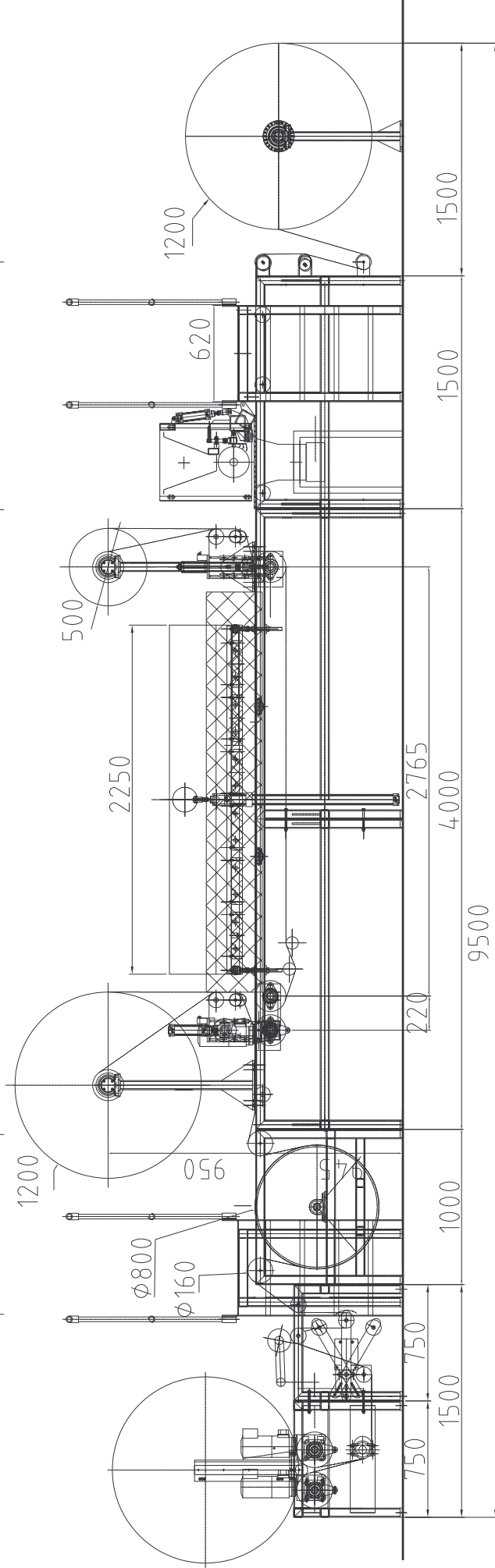
modul 8
compensation unit
winding

modul 7
cooling drum
service platform
with stairs

modul 6
unwinding for web- and film adhesive
IR-field, laminating station (nip)
unwinding 2nd substrate

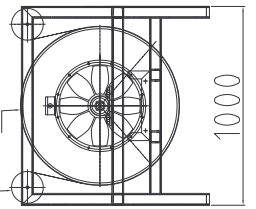
modul 5
service platform
with stairs,
powder adhesive
application

modul 1
unwinding fix
1st substrate

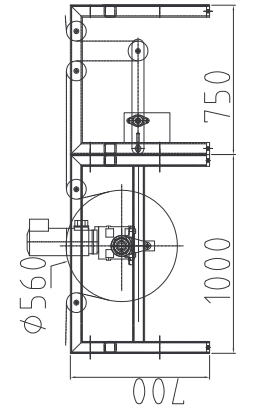


moving direction

option
modul7.2
cooling drum with
air-cooling
 $\phi 160 \phi 800$

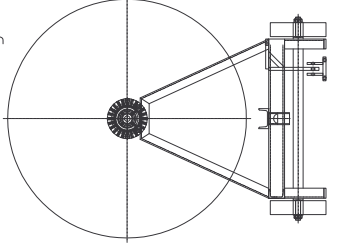


option
modul7.1
cooling drum with water-cooling



option
IR-field prolongation
for each 300 mm

option
modul 1.1
unwinding movable



IMATEP SA
GRAND-RUE 49-50
CH- 1700 FRIBOURG
TEL + 41 + 26 323 11 66
FAX + 41 + 26 323 21 23

MPCLL Variante 3
Masstab M 1:36
70-020-165-002-01-B